

# Description of Configuration - 8

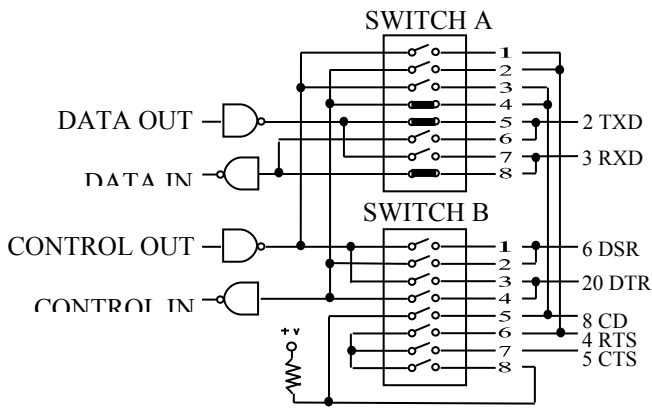


Fig. 1

Master Port

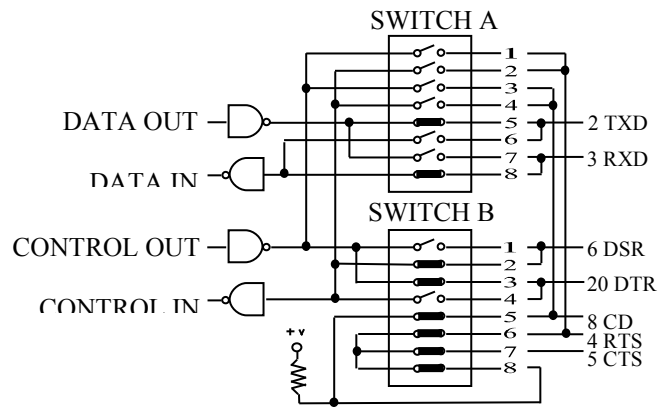


Fig. 2

Slave Ports

**Sw. Pos. Closed**

Switch 1/A / B (Master Port) is Configured as DTE (Data Terminal Equipment) Using Carrier Detect for Control In. (Fig. 1)

**4,5, & 8 / none**

Switches 2-5/A / B (Slave Ports) are configured as DTE Hardware Handshaking using DSR/DTR, and COS-8 & 12 / 16 Switches J4-J7/ A / B (Fig. 2)

**5 & 8 / 2, 3, 5 - 8**

PORT OVERVIEW FOR MASTER / SLAVE PORTS - (Switches 1-5/A / B & J4-J7 A / B) (Figure 1 / 2):

Pin 2.....	TXD	Transmit Data to external device through SWA position 5
Pin 3.....	RXD	Receive Data from external device through SWA position 8
Pin 4.....	RTS	Not Used on Master - Slave is always True
Pin 5.....	CTS	Not Used on Master - Slave is always True
Pin 6.....	DSR	Not Used - Slave is Routed to Control In
Pin 8.....	CD	Carrier Detect Tied to Control in SWA position 4 - Slave is always True
Pin 20.....	DTR	Not Used - Slave is Routed to Control Out

---

Switch 6=Configured to disable the Slaves ability to put the COS into Switch Time & to switch from Switch Time to a Channel (SW6-1 and SW6-4 open) . Auto Time Out is set to 10 minutes -7 closed). **2, 3, & 7**

---

Switch 7=Word Format, No Parity, 8 bit word Length, 1 Stop Bit **4 & 7**

When in Graphics mode, COS will not accept the Arming Character until the specified Word Gap has been satisfied after the last character of transmission. (See SW9 for word Gap)

---

Switch 8= Arming Character, Set to ~ (TILDE) **1 & 8**

Switch 9=Word Gap in transmission before COS will translate Arming Character. Set to 100 (select a single closure) **4**

Switch 10 = Baud Rate. Set at 9600 (select a single closure) **5**

W-1 Flagged (No Connect) = Page Breaks. Disables Page Breaks

---

W-4 A, B In = Causes Power on Clear and unit to go into switch time when COS receives Arming Character or Times out.

W-7 Shunt A = Unit **WILL NOT** go into Switch Time when CD (Carrier Detect) drops on the Master Port.

W-7 Shunt B = Unit **WILL** go into Switch Time when CD (Carrier Detect) drops on the Master Port.

**Voltage:**  **115VAC**  **230VAC**

## Graphics Mode Label Required