

# Description of Configuration - 1

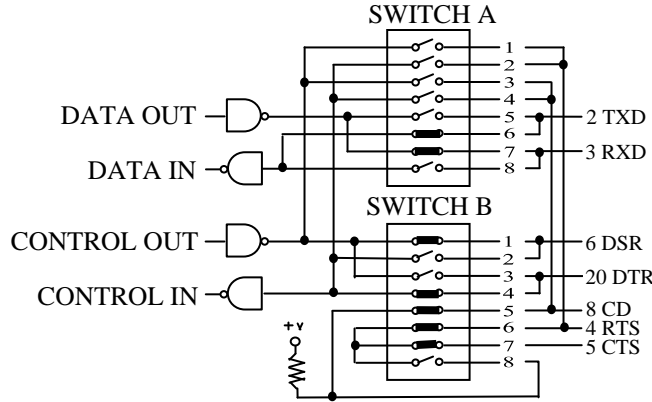


Fig. 1

All Ports

**Sw. Pos. Closed**

Switches 1-5/A / B (ALL PORTS) are Configured as DCE (Data Communication Equipment) Using Hardware Handshaking DTR/DSR, and COS-8 & 12 / 16 Switches J4-J7/A / B (Fig. 1)

**6 & 7 / 1, 4 - 7**

PORT OVERVIEW - (Switches 1-5 A / B & J4-J7 A / B) (Fig. 1):

Pin 2.....	TXD	Receive data from external device through SWA Position 6
Pin 3.....	RXD	Transmit data to external device through SWA Position 7
Pin 4.....	RTS	Tied to CTS through SWB Position 6, 7
Pin 5.....	CTS	Tied to RTS through SWB Position 6, 7
Pin 6.....	DSR	Control Out to external device through SWB Position 1
Pin 8.....	CD	Carrier Detect tied to pull up resistor (Always true) through SWB Position 5
Pin 20.....	DTR	Control in from external Device SWB Position 4

---

Switch 6 = Auto Time Out, 8 Closed=When no data flow COS timeout is infinite **1, 2, 3, 4 & 8**

---

Switch 7 = Word Format, No Parity, 8 bit word Length, 1 Stop Bit **4, 7 & 8**

When in Graphics mode, COS will not accept the Arming Character until the specified Word Gap has been satisfied after the last character of transmission. (See SW9 for word Gap)

---

Switch 8 = Arming Character, Set to CTRL+D (EOT) **1, 2, 4 - 8**

---

Switch 9 = Word Gap in transmission before COS will translate Arming Character. Set to 5 (select a single closure) **1**

---

Switch 10 = Baud Rate. Set at 9600 (select a single closure) **5**

---

W1 Flagged (No Connect) = Page Breaks. **Enables** Page Breaks

---

W4 A, B In = Causes Power on Clear and unit goes into switch time when COS receives Arming Character or Times out.

---

W - 7 Shunt A = Unit **WILL NOT** go into switch time when DTR drops on the Master Port

W - 7 Shunt B = Unit **WILL** go into switch time when DTR drops on the Master Port

---

**Voltage:**        **115VAC**                          **230VAC**