

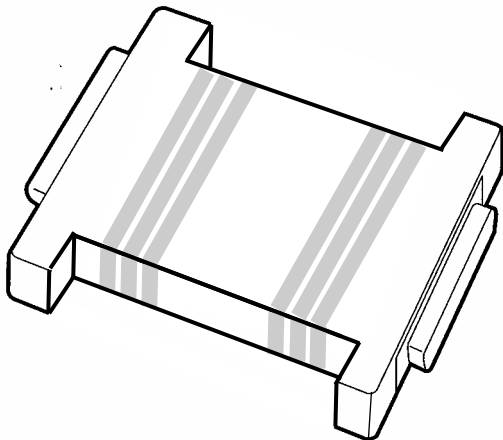


RelComm, Inc.

June 2008
9110074
9110074E

Serial Cable Booster

RS-232



4868 Hwy. 4, Suite G, P.O. Box 640, Angels Camp, CA 95222
(209) 736-0421 www.relcomm.com Fax (209) 736-0425

Serial Cable Booster

LIMITED WARRANTY

ReliComm, Inc., hereafter referred to as RCI warrants this Product to be in good working order for a period of One (1) Year from the date of purchase from RCI or an authorized RCI dealer. NO WARRANTIES, WHETHER EXPRESS OR IMPLIED, WILL APPLY AFTER THIS PERIOD.

Should this Product fail to be good working order at any time during this warranty period, RCI will, at its option, repair or replace this product at no additional charge except as set forth below. Repair parts and replacement Products will be furnished on an exchange basis and will be either reconditioned or new. This limited warranty does not include service to repair damage to the Product resulting from accident, disaster, misuse, abuse, or non-RCI modification of the Product.

Limited Warranty service may be obtained by delivering the Product during the warranty period to RCI and providing proof of purchase date. If this Product is delivered by mail, you agree to insure the Product or assume the risk of loss or damage in transit, to prepay shipping charges to the warranty service location and to use the original shipping container or equivalent. For further information, contact Service, P.O. Box 640, Angels Camp, California 95222, (209) 736-0421, www.relcomm.com.

SOME STATES DO NOT ALLOW LIMITATIONS ON HOW LONG AN IMPLIED WARRANTY LASTS, SO THE ABOVE LIMITATIONS MAY NOT APPLY TO YOU.

IF THIS PRODUCT IS NOT IN GOOD WORKING ORDER AS WARRANTED ABOVE, YOUR SOLE REMEDY SHALL BE REPAIR OR REPLACEMENT AS PROVIDED ABOVE. IN NO EVENT WILL RCI BE LIABLE TO YOU FOR ANY DAMAGES, INCLUDING ANY LOST SAVINGS OR OTHER INCIDENTAL OR CONSEQUENTIAL DAMAGES ARISING OUT OF THE USE OF OR INABILITY TO USE SUCH PRODUCT, EVEN IF RCI OR AN AUTHORIZED DEALER HAS BEEN ADVISED OF THE POSSIBILITY OF SUCH DAMAGES, OR ANY CLAIM BY ANY OTHER PARTY.

SOME STATES DO NOT ALLOW THE EXCLUSION OR LIMITATION OF INCIDENTAL OR CONSEQUENTIAL DAMAGES FOR CONSUMER PRODUCTS, SO THE ABOVE LIMITATIONS OR EXCLUSIONS MAY NOT APPLY TO YOU.

THIS WARRANTY GIVES YOU SPECIFIC LEGAL RIGHTS, AND YOU MAY ALSO HAVE OTHER RIGHTS WHICH MAY VARY FROM STATE TO STATE.

Serial Cable Booster

The Line booster has a male (to DCE) and female (from DTE) connector with bulkhead (female screwlock) hardware.

A detachable wallmount power supply is provided and the installation must provide for AC power to the power supply. The female connector must be connected to the cable attached to the equipment sending data to the DCE on Pin 2.

Serial Cable Booster

3. Installation

Connect the cable from your modem (or other DCE device) to the DCE side of the Line Booster. Connect the cable from your computer, terminal or printer (or other DTE device) to the DTE side of the Line Booster.

Serial Cable Booster

1	———— Chassis Ground ————	1
2	←———— TX Data ————←	2
3	————→ RX Data ————→	3
4	←———— RTS ————←	4
5	————→ CTS ————→	5
6	————→ DSR ————→	6
7	———— Signal Ground ————	7
8	————→ CD ————→	8
9	———— + V (9-15 VDC) ————	9
10	———— - V (9-15 VDC) ————	10
15	————→ TX Clock (DCE) ————→	15
17	————→ RX Clock ————→	17
20	←———— DTR ————←	20
21	————→ SQ ————→	21
22	————→ RI ————→	22
24	←———— TX Clock (DTE) ————←	24
DB25 P		DB25S
Male		Female

Serial Cable Booster

Contents

1. Specifications4
2. Introduction5
3. Installation.....8

FEDERAL COMMUNICATIONS COMMISSION RADIO FREQUENCY INTERFERENCE STATEMENT

This equipment generates, uses, and can radiate radio frequency energy and if not installed and used properly, that is, in strict accordance with the manufacturer's instructions, may cause interference to radio communication. It has been tested and found to comply with the limits for a Class A computing device in accordance with the specifications in Subpart J of Part 15 of FCC Rules, which are designed to provide reasonable protection against such interference when the equipment is operated in a commercial environment. Operation of this equipment in a residential area is likely to cause interference, in which case the user at his own expense will be required to take whatever measures may be required to correct the interference.

Changes or modifications not expressly approved by the party responsible for compliance could void the user's authority to operate the equipment.

1. Specifications

Protocol —	Asynchronous/synchronous
Speed —	Transparent
Operation —	Transparent
Interface —	RS-232/CCITT V.24
Connectors —	(1) male DB25P connects to DCE; (1) female DB25S connects to DTE
Power —	9110074: 120 VAC, 18 watts 9110074E: 240 VAC, 50-60 Hz, 0.2A
Size —	0.75”H x 225”W x 3.25”D (2.2 x 5.5 x 7.8 cm)
Weight —	0.1 lb. (0.05 kg)

2. Introduction

The RS-232 Line Booster doubles the length of an RS-232 cable by actively receiving and re-transmitting twelve of the most common signal lines of the RS232-C interface. The RS232-C specifications state that the maximum cable length is limited to 50 feet. In actual operation (depending on environmental conditions), you may be able to operate with as much as 100-150 feet of cable. The Line Booster doubles the maximum cable length if the environmental conditions are similar over the entire cable and the Booster is in the center of the cable length.

Under these same conditions, the signal to noise ratio is halved when using the Line Booster. The unit is data and data format transparent.

It is powered by a detachable power supply. The lines supported and the direction of the signal flow are summarized on the following page.